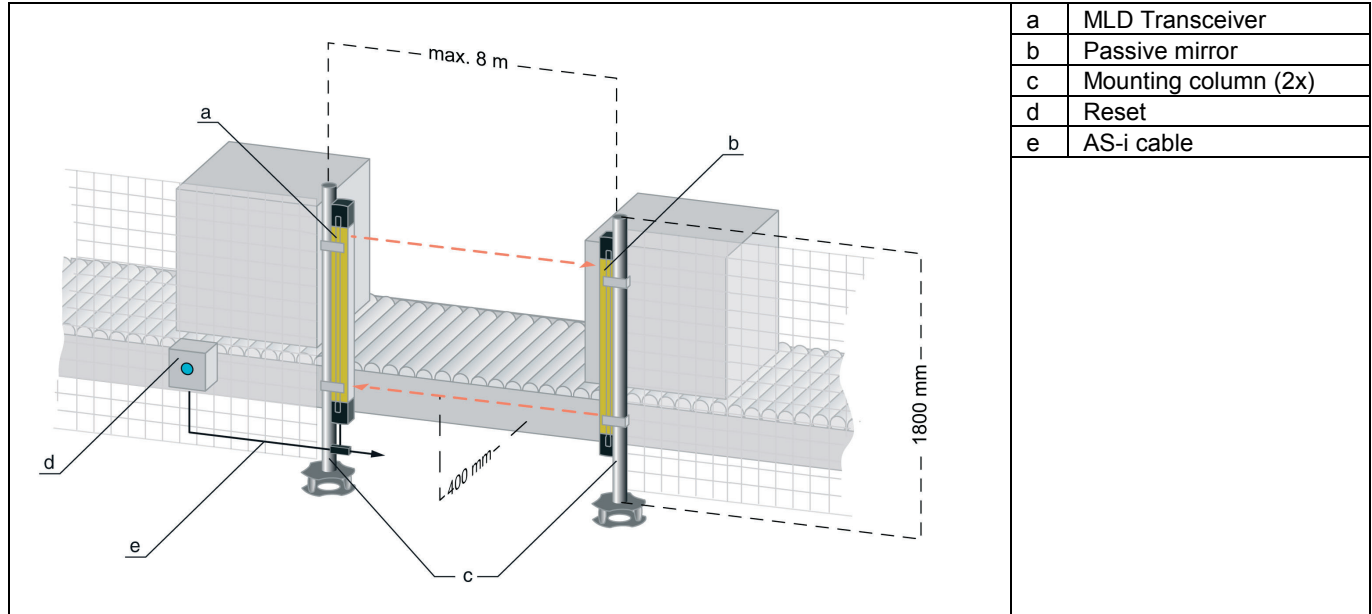


AS-i Safety Sensor Set

MLDSET-S8A (range 8 m) and MLDSET-S50A (range 50 m) are sets for access control with integrated AS-i interface.

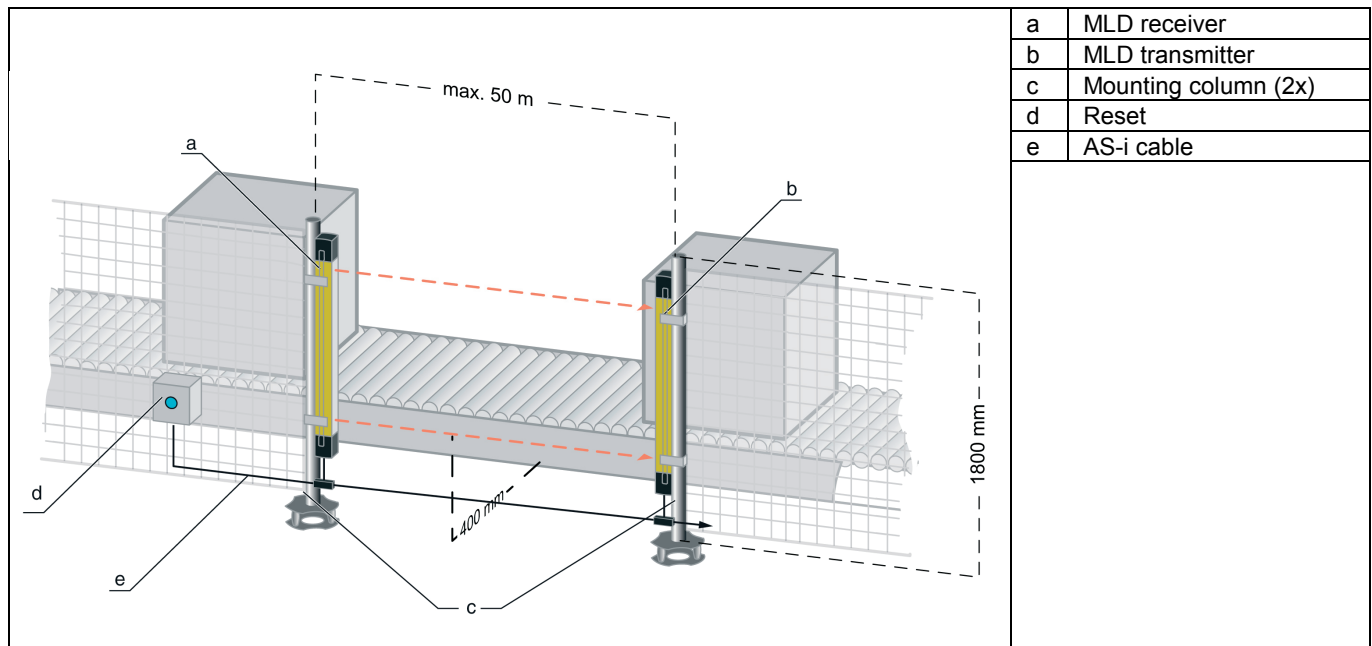
MLD SET-S8A



a	MLD Transceiver
b	Passive mirror
c	Mounting column (2x)
d	Reset
e	AS-i cable

Art-No. 700960

MLD SET-S50A



a	MLD receiver
b	MLD transmitter
c	Mounting column (2x)
d	Reset
e	AS-i cable

Scope of delivery

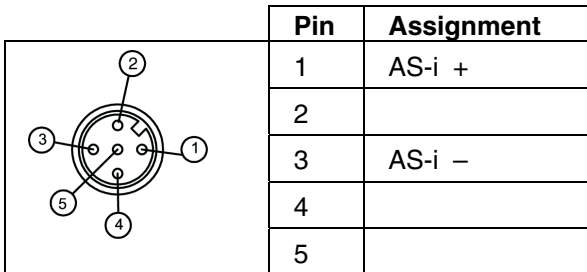
MLDSET-S8A			
Quantity	Art.-No.	Article	Description
1	66537101	MLD510-RT2/A	MLD Transceiver
1	66500100	MLD-M002	Passive mirror
2	549603	UPM40-1800	Mounting column
4	549604	BT-2UPM40	Mounting bracket

MLDSET-S50A			
Quantity	Art.-No.	Article	Description
1	66533101	MLD510-R2/A	MLD receiver
1	66501101	MLD500-T2/A	MLD transmitter
2	549603	UPM40-1800	Mounting column
4	549604	BT-2UPM40	Mounting bracket

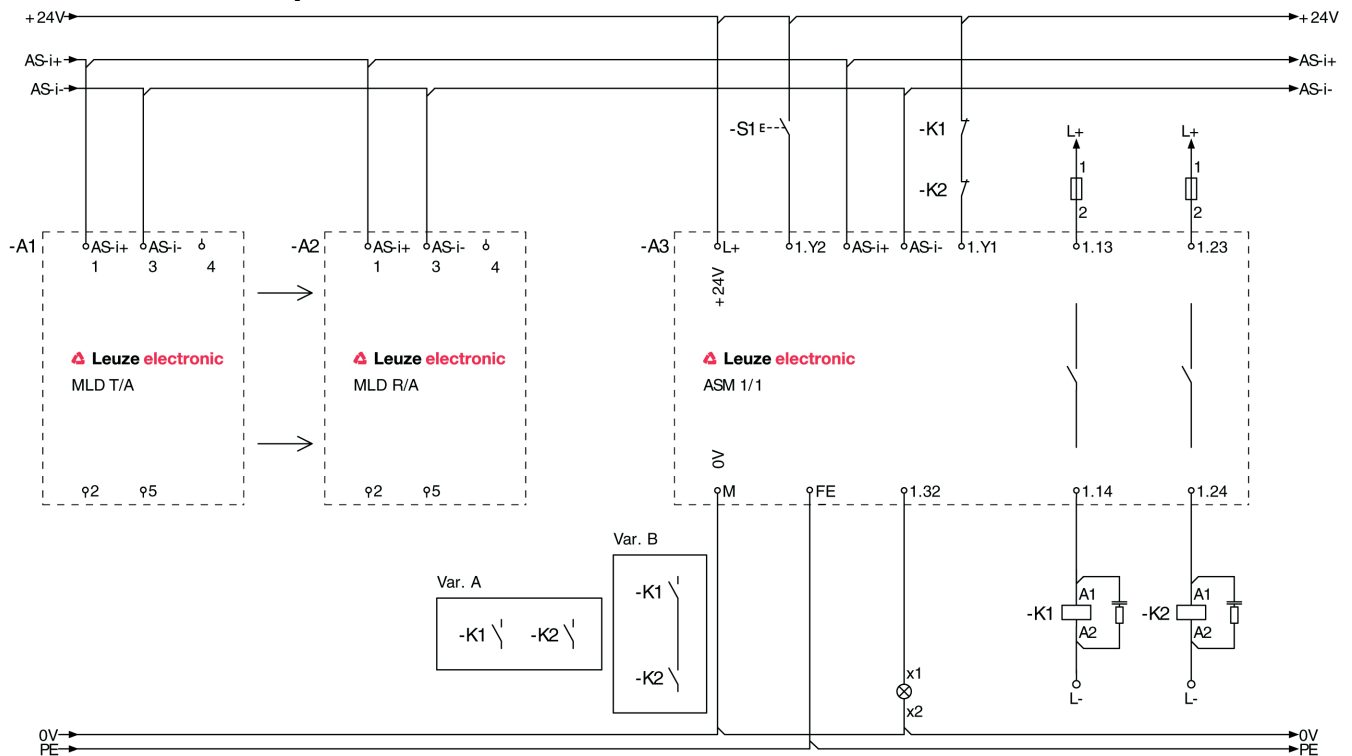
Änderungen vorbehalten

Electrical connection

MLD transmitter as well as MLD receiver/transceiver are supplied by the AS-I cable.



Connection example



Setting the device into service

Notice: For further informations see As-i Master and MLD documentation.

Ordering information

Art.-No.	Article
66900001	MLDSET-S8A
66900002	MLDSET-S50A