

LA-78



Laser Alignment Aids

Laser alignment aids are battery-operated red-light lasers used for the quick and easy adjustment of Leuze electronic optical sensors. They are available in several versions for adapting to the various Leuze electronic sensors.

Advantages

- Red-light laser, Laser class 2
- Sturdy aluminum housing
- Battery-operated
- Suitable for SOLID, COMPACT, COMPACT*plus*, ROBUST, SLS 78, ECO, RS4

Areas of application

Aligning Laser Scanners, Single Beam Safety Light Barriers, Multiple Light Beam Safety Device, Light Curtains, and deflecting mirrors, especially for multi-sided safeguarding by means of deflecting mirrors and for longer operating ranges.

Selecting Table for Laser Alignment Aids

LA Type	for Sensor	Sensor-Type	Mounting*)
LA-78	SLS78	Single Beam Safety Light Barriers	A
	ROBUST	Transceiver, 2-beam	A
		Transmitter/Receiver, 3-beam	A
		Transceiver, 4-beam	A
RS4	Scanner	B	
LA-78U	ROBUST	Transceiver, 2-beam	C
		Transmitter/Receiver, 3-beam	C
		Transceiver, 4-beam	C
	COMPACT	Safety Light Curtain	C
		Multiple Light Beam Safety Device	C
	COMPACT <i>plus</i>	Safety Light Curtain	C
		Multiple Light Beam Safety Device	C
		Transceiver, 2-beam	C
	SOLID	Safety Light Curtain	C
ECO	Safety Light Curtain **)	D	
LA-78UDC	ROBUST	Transceiver, 2-beam	E
		Transmitter/Receiver, 3-beam	E
		Transceiver, 4-beam	E
	COMPACT	Safety Light Curtain	E
		Multiple Light Beam Safety Device	E
	COMPACT <i>plus</i>	Safety Light Curtain	E
		Multiple Light Beam Safety Device	E
		Transceiver, 2-beam	E
	SOLID	Safety Light Curtain	E
	ECO	Safety Light Curtain**)	F

- *) A = Fixing directly on the sensor's threaded bushings
 B = Attach on scanner housing
 C = Fixing on the guide slot on the side
 D = Fixing on the guide slot on the side of the mounting profile
 E = Fixing between mounting column and sensor housing
 F = Fixing between mounting column and mounting profile
 **) with mounting profile

Function



Laser radiation!
 Never look into the laser beam.
 Inform other of this as well!
 Laser class 2 acc. to EN 60825-1.



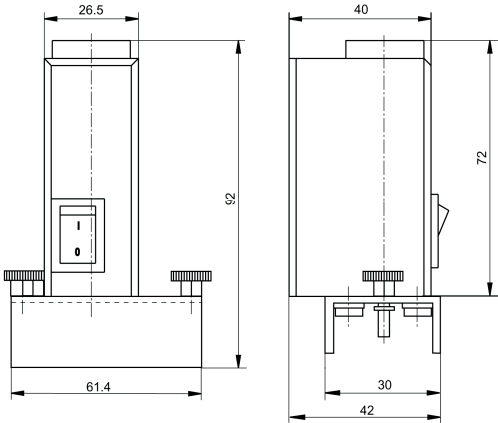
Output power: max. 1,0 mW
 Wave length: 650 to 690 nm

LA Type	Application
L-78	Place against the front of the optics module and attach using knurled-head screws
LA-78U	Place guide pins laterally into the T-slot in the housing; lock into position by giving the knurled-head screw a ¼ turn (by turning)
LA78UDC	Insert clamping limb of the LA-78UDC between sensor housing and UDC housing. Place guide pins laterally into the T-slot in the sensor housing; lock into position by swivelling the lever approx. 90°

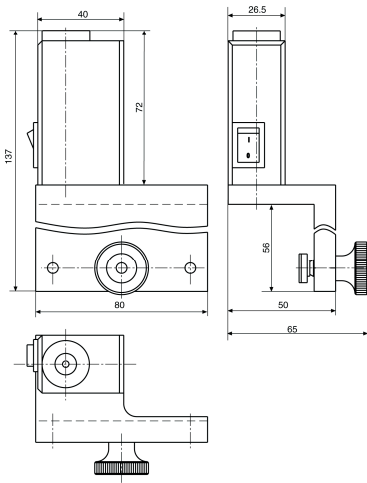
To replace the batteries: Loosen the two screws at the base of the housing, open the housing, exchange the batteries, and close the housing. (Replacement batteries: 2 x 1.5 V micro.)

Dimensional Drawings

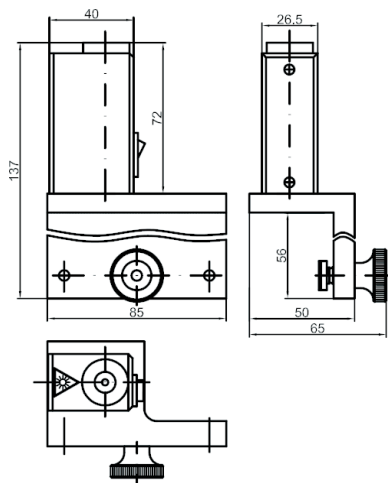
Laser Alignment Aid LA-78
Mounting: **ROBUST, SLS 78**



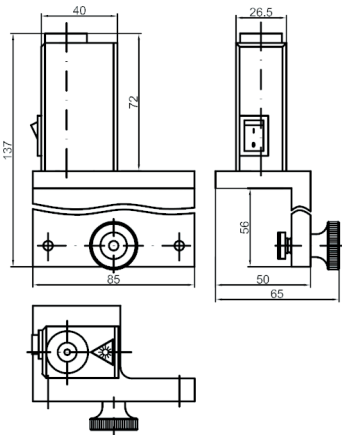
Laser Alignment Aid LA-78U
Mounting: **COMPACT, COMPACTplus**
ROBUST



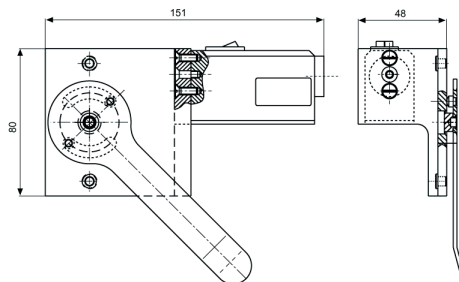
Laser Alignment Aid LA-78U
Mounting: **ECO**



Laser Alignment Aid LA-78U
Mounting: **SOLID**

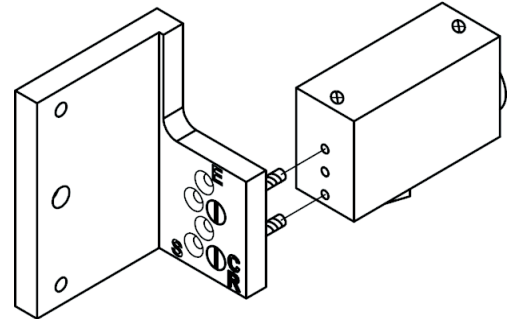


Laser Alignment Aid LA-78UDC
Mounting: **UDC**

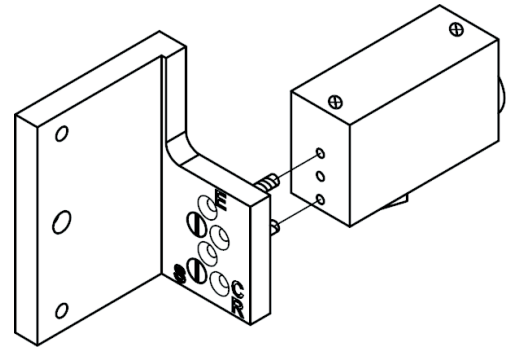


Mounting drawings: LA-78U
COMPACT, COMPACTplus,
SOLID, ECO

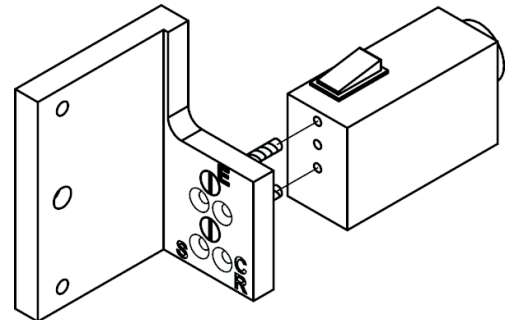
Mounting in hole row: C/R for COMPACT, COMPACTplus and ROBUST



Mounting in hole row: S for SOLID



Mounting in hole row: E for ECO



Fixing with countersunk screws included.

Ordering information

Type (incl. batteries)	Order No.
LA-78	549000
LA-78U	560020
LA-78UDC	520004