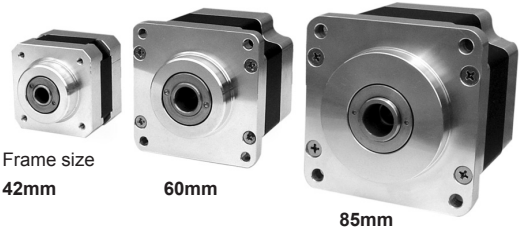


Frame Size 42mm/60mm/85mm Hollow Shaft Type Motor

■ Features

- Removable coupling connecting Ball-screw, TM-screw directly
- Remove resonance (vibration, noise) without coupling
- Compact design and light weight with high accuracy, speed and torque
- Suitable for small-sized equipment applications
- Cost-effective



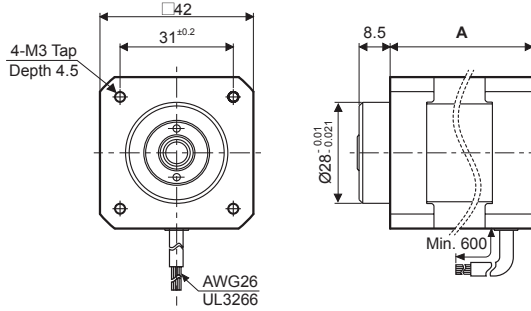
⚠ Please read "Safety Considerations" in operation manual before using.



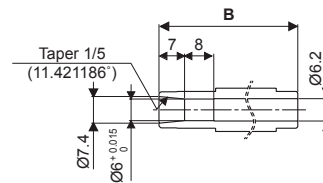
■ Dimensions

※ Depending on processing of shaft to be assembled, hollow shaft type can be used both single and dual shaft.

◎ Frame size 42mm

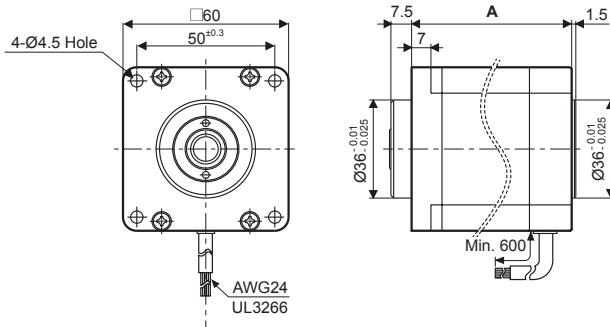


• Hole dimensions

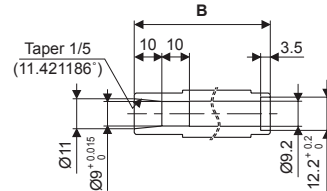


Model	A	B
AH1K-S543-□	33	38
AH2K-S544-□	39	44
AH3K-S545-□	47	52

◎ Frame size 60mm

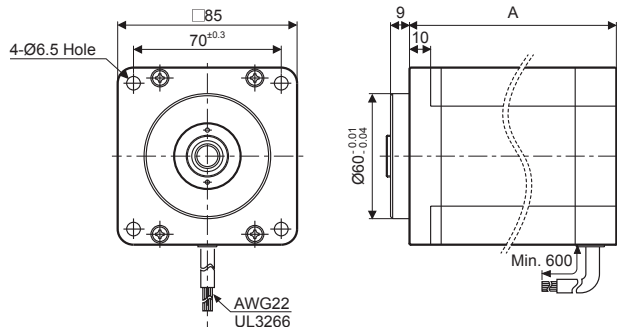


• Hole dimensions

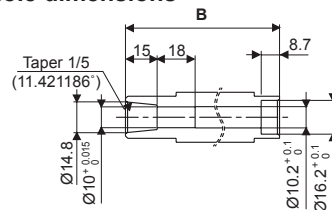


Model	A	B
AH4K-□564(W)-□	48.5	49.3
AH8K-□566(W)-□	59.5	60.3
AH16K-□569(W)-□	89	89.8

◎ Frame size 85mm



• Hole dimensions



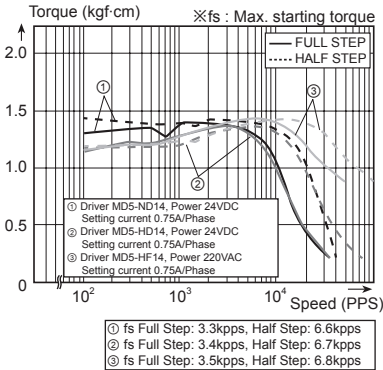
Model	A	B
AH21K-□596(W)-□	68	73
AH41K-□599(W)-□	98	102.5
AH63K-□5913(W)-□	128	133

- (A) Photoelectric Sensors
- (B) Fiber Optic Sensors
- (C) Door/Area Sensors
- (D) Proximity Sensors
- (E) Pressure Sensors
- (F) Rotary Encoders
- (G) Connectors/ Connector Cables/ Sensor Distribution Boxes/Sockets
- (H) Temperature Controllers
- (I) SSRs / Power Controllers
- (J) Counters
- (K) Timers
- (L) Panel Meters
- (M) Tacho / Speed / Pulse Meters
- (N) Display Units
- (O) Sensor Controllers
- (P) Switching Mode Power Supplies
- (Q) Stepper Motors & Drivers & Controllers
- (R) Graphic/ Logic Panels
- (S) Field Network Devices
- (T) Software

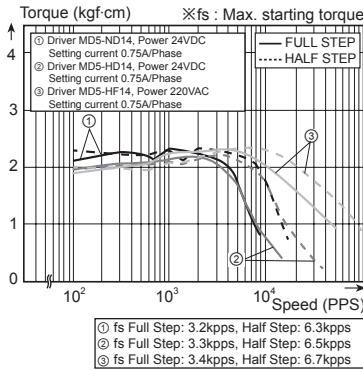
AHK Series

Characteristic

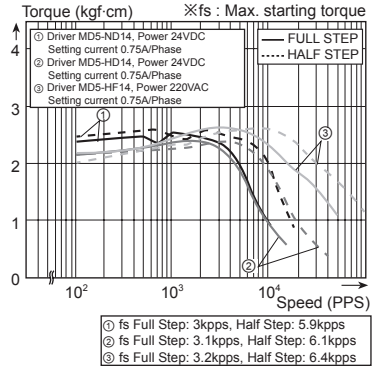
• AH1K-S543-□



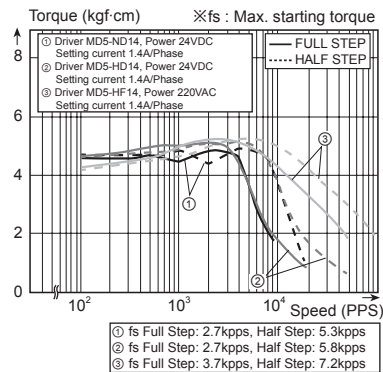
• AH2K-S544-□



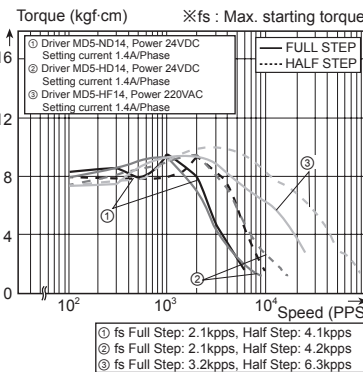
• AH3K-S545-□



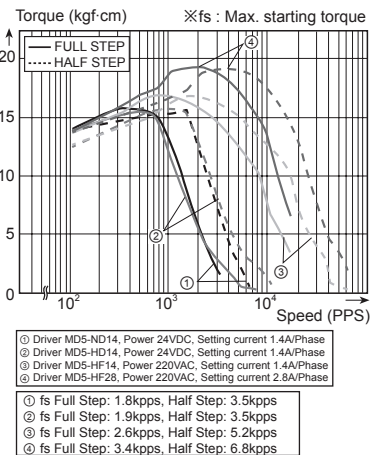
• AH4K-S(M)□564(W)-□



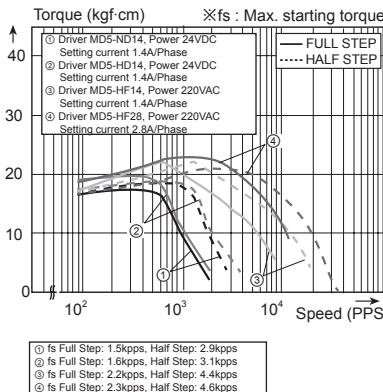
• AH8K-S(M)□566(W)-□



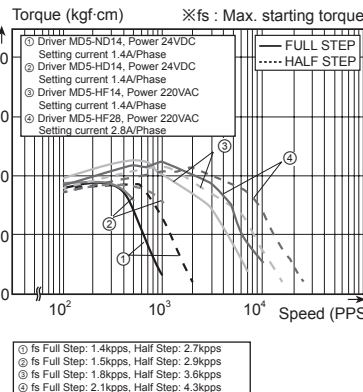
• AH16K-M(G)□569(W)-□



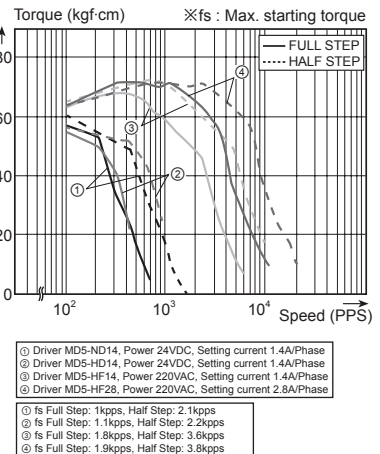
• AH21K-M(G)□596(W)-□



• AH41K-M(G)□599(W)-□



• AH63K-M(G)5913(W)-□



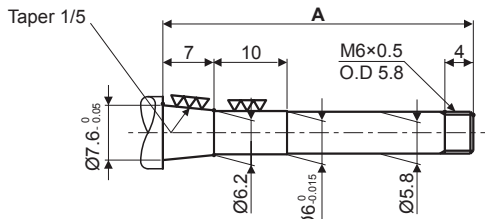
5-Phase Stepper Motor

■ Processing Example for Shaft Assembly

In order to assemble external shafts into Autonics motors, the shafts must be processed as shown in the figures below.

● Single shaft type of frame size 42mm

(unit: mm)

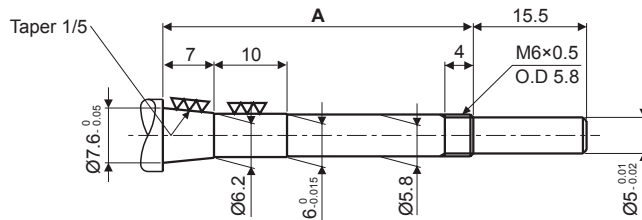


Model	A
AH1K-S543-□	42.5
AH2K-S544-□	48.5
AH3K-S545-□	56.5

※Lock nut is included.

● Dual shaft type of frame size 42mm

(unit: mm)

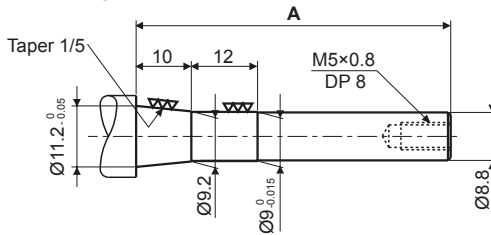


Model	A
AH1K-□543W-□	42.5
AH2K-□544W-□	48.5
AH3K-□545W-□	56.5

※Lock nut is included.

● Single shaft type of frame size 60mm

(unit: mm)

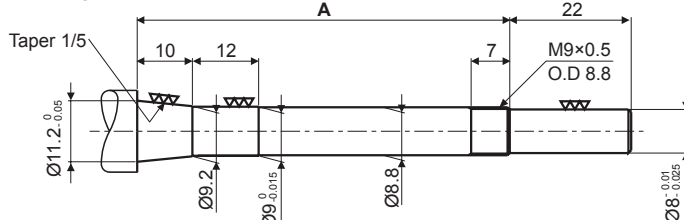


Model	A
AH4K-□564-□	46
AH8K-□566-□	57
AH16K-□569-□	86.5

※Hexagon wrench bolt, flat washer, spring washer and lock washer are included.

● Dual shaft type of frame size 60mm

(unit: mm)

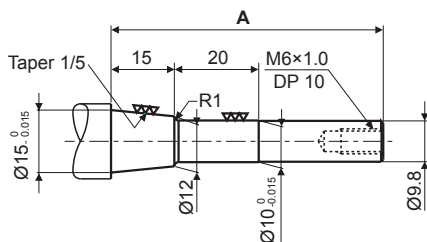


Model	A
AH4K-□564W-□	56.5
AH8K-□566W-□	67.5
AH16K-□569W-□	97

※Lock nut is included.

● Single shaft type of frame size 85mm

(unit: mm)

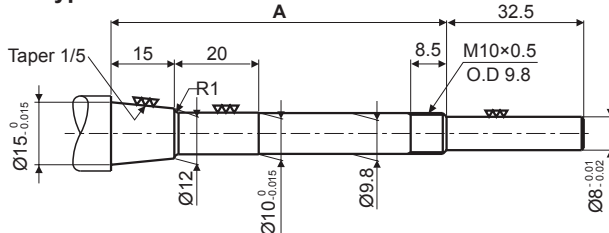


Model	A
AH21K-□596-□	64.5
AH41K-□599-□	94
AH63K-□5913-□	124.5

※Hexagon wrench bolt, flat washer, spring washer and lock washer are included.

● Dual shaft type of frame size 85mm

(unit: mm)



Model	A
AH21K-□596W-□	79.5
AH41K-□599W-□	109.5
AH63K-□5913W-□	139.5

※Lock nut is included.

(A) Photoelectric Sensors

(B) Fiber Optic Sensors

(C) Door/Area Sensors

(D) Proximity Sensors

(E) Pressure Sensors

(F) Rotary Encoders

(G) Connectors/ Connector Cables/ Sensor Distribution Boxes/Sockets

(H) Temperature Controllers

(I) SSRs / Power Controllers

(J) Counters

(K) Timers

(L) Panel Meters

(M) Tacho / Speed / Pulse Meters

(N) Display Units

(O) Sensor Controllers

(P) Switching Mode Power Supplies

(Q) Stepper Motors & Drivers & Controllers

(R) Graphic/ Logic Panels

(S) Field Network Devices

(T) Software