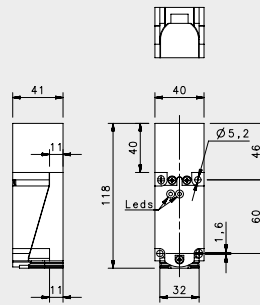
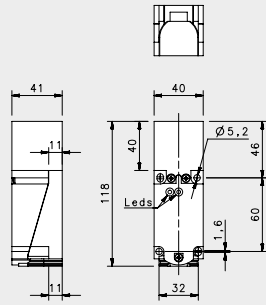


SQUARE 40X40



40X40

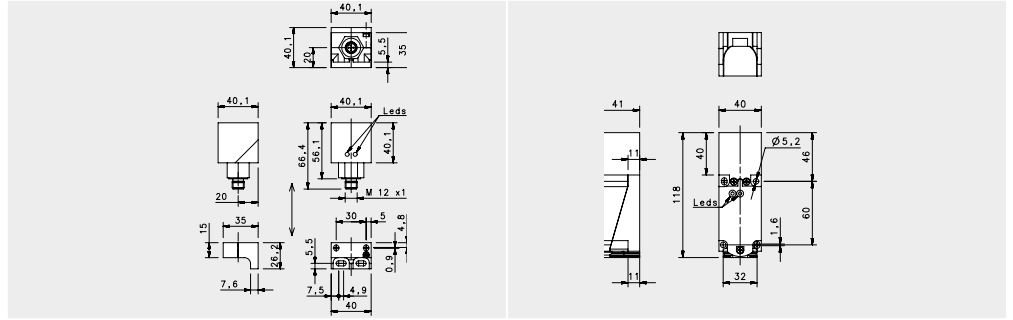
				FLUSH		NON FLUSH	
				Terminal Block		Terminal Block	
NOMINAL SWITCHING DISTANCE				15 mm		30mm	
10-30 Vdc	PNP/NPN NO-NC	4 wires	order No.	---	---	---	---
10-30 Vdc	PNP NO	3 wires	order No.	---	---	---	---
10-30 Vdc	PNP NC	3 wires	order No.	---	---	---	---
10-30 Vdc	NPN NO	3 wires	order No.	---	---	---	---
10-30 Vdc	NPN NC	3 wires	order No.	---	---	---	---
10-30 Vdc	PNP NO-NC	4 wires	order No.	IS-40-W5-S3 95B065240	IS-40-Y5-S3 95B065280		
10-30 Vdc	NPN NO-NC	4 wires	order No.	IS-40-W6-S3 95B065230	IS-40-Y6-S3 95B065270		
10-30 Vdc	NO-NC	2 wires	order No.	---	---		
20-250 Vac/Vdc	NO	2 wires	order No.	---	---		
20-250 Vac/Vdc	NC	2 wires	order No.	---	---		
20-250 Vac	NO	2/3wires	order No.	---	---		
10-30 Vdc	Analog 0-20 mA	3 wires	order No.	---	---		
NAMUR amplifier	NAMUR	2 wires	order No.	---	---		
Nominal Voltage				10-30 Vdc	10-30 Vdc		
Residual Ripple				< 10%	< 10%		
Hysteresis				< 15% (Sr)	< 15% (Sr)		
Max. Output Current				200mA	200mA		
Min. Output Current				---	---		
Residual Current				< 0,01 mA	< 0,01 mA		
Voltage Drop				< 1,5V	< 1,5V		
Operation Led				YES	YES		
Switching Frequency				100 Hz	100 Hz		
Start Up Delay				---	---		
Repeatability				< 1.0% (Sr)	< 1.0% (Sr)		
Short Circuit Protection				Present (self-resetting)	Present (self-resetting)		
Electric Protection				Against polarity reversal inductive loads	Against polarity reversal inductive loads		
Temperature Limit				(-25 ... +75C)	(-25 ... +75 °C)		
Protection Degree				IP67	IP67		
Cable Length				---	---		
Cable Section				---	---		
Housing Material				PBT (RESIN)	PBT (RESIN)		
Weight - Cable Output				---	---		
Weight - Connector Output				262g	262g		



40X40 VAC/VDC

FLUSH	NON FLUSH
Terminal Block	Terminal Block
15 mm	30mm
---	---
---	---
---	---
---	---
---	---
---	---
---	---
---	---
---	---
---	---
---	---
---	---
---	---
---	---
---	---
---	---
IS-40-W7-S3	IS-40-Y7-S3
95B065250	95B065290
IS-40-W8-S3	IS-40-Y8-S3
95B065260	95B065300
---	---
---	---
---	---
---	---
---	---
---	---
20-250 VAC/Vdc, 50-60 Hz	20-250 VAC/Vdc, 50-60 Hz
< 10%	< 10%
< 15% (Sr)	< 15% (Sr)
200mA	200mA
---	---
< 2,5mA	< 2,5mA
< 10Vac ; < 8Vdc	< 10Vac ; < 8Vdc
YES	YES
25 Hz AC; 40 Hz DC	25 Hz AC; 40 Hz DC
---	---
< 1.0% (Sr)	< 1.0% (Sr)
Present (self-resetting)	Present (self-resetting)
Against polarity reversal inductive loads	Against polarity reversal inductive loads
(-25 ... +70 °C)	(-25 ... +70 °C)
IP67	IP67
---	---
---	---
PBT (RESIN)	PBT (RESIN)
---	---
262g	262g

SQUARE 40X40



SHORT	ANALOG OUTPUT
FLUSH	NON FLUSH

M12 conn.

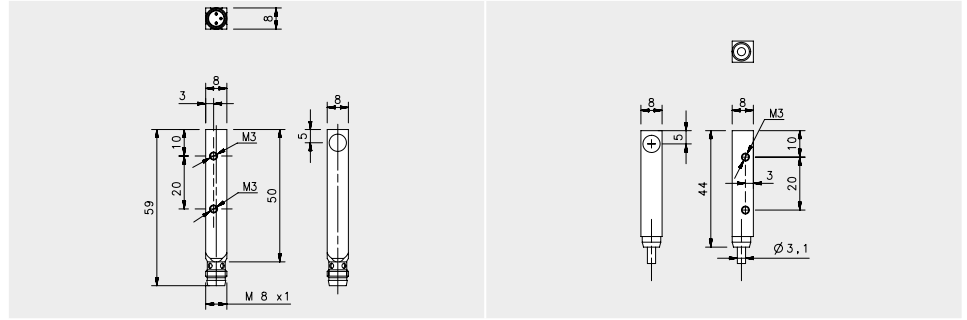
Terminal Block

NOMINAL SWITCHING DISTANCE

				15mm	7-20mm
10-30 Vdc	PNP/NPN NO-NC	4 wires	order No.	---	---
10-30 Vdc	PNP NO	3 wires	order No.	---	---
10-30 Vdc	PNP NC	3 wires	order No.	---	---
10-30 Vdc	NPN NO	3 wires	order No.	---	---
10-30 Vdc	NPN NC	3 wires	order No.	---	---
10-30 Vdc	PNP NO-NC	4 wires	order No.	IS-40-X5-S2 95B065320	---
10-30 Vdc	NPN NO-NC	4 wires	order No.	IS-40-X6-S2 95B065310	---
10-30 Vdc	NO-NC	2 wires	order No.	---	---
20-250 Vac/Vdc	NO	2 wires	order No.	---	---
20-250 Vac/Vdc	NC	2 wires	order No.	---	---
20-250 Vac	NO	2/3wires	order No.	---	---
10-30 Vdc	Analog 0-20 mA	3 wires	order No.	---	IS-40-C11-S3 95B065330
NAMUR amplifier	NAMUR	2 wires	order No.	---	---

Nominal Voltage	10-30 Vdc	18-30 Vdc
Residual Ripple	< 10%	< 10%
Hysteresis	< 15% (Sr)	< 10% (Sr)
Max. Output Current	200mA	0-20mA/200 Ω Max.
Min. Output Current	---	---
Residual Current	< 0,01mA	---
Voltage Drop	< 1,5V	---
Operation Led	YES	---
Switching Frequency	100 Hz	100 Hz
Start Up Delay	---	---
Repeatability	< 1.0% (Sr)	0,02 mm
Short Circuit Protection	Present (self-resetting)	Present (self-resetting)
Electric Protection	Against polarity reversal inductive loads	Against polarity reversal inductive loads
Temperature Limit	(-25... +70 °C)	(-25 ... +70 °C)
Protection Degree	IP67	IP67
Cable Length	---	---
Cable Section	---	---
Housing Material	PBT (RESIN)	PBT (RESIN)
Weight - Cable Output	---	---
Weight - Connector Output	170 g	242g

SQUARE 8X8



SHORT

FLUSH

				M8 conn	cable
				1,5mm	1,5mm
10-30 Vdc	PNP/NPN NO-NC	4 wires	order No.	---	---
10-30 Vdc	PNP NO	3 wires	order No.	IS-88-Q1-S1 95B060840	IS-88-Q1-03 95B060830
10-30 Vdc	PNP NC	3 wires	order No.	---	---
10-30 Vdc	NPN NO	3 wires	order No.	---	---
10-30 Vdc	NPN NC	3 wires	order No.	---	---
10-30 Vdc	PNP NO-NC	4 wires	order No.	---	---
10-30 Vdc	NPN NO-NC	4 wires	order No.	---	---
10-30 Vdc	NO-NC	2 wires	order No.	---	---
20-250 Vac/Vdc	NO	2 wires	order No.	---	---
20-250 Vac/Vdc	NC	2 wires	order No.	---	---
20-250 Vac	NO	2/3 wires	order No.	---	---
10-30 Vdc	Analog 0-20 mA	3 wires	order No.	---	---
NAMUR amplifier	NAMUR	2 wires	order No.	---	---
Nominal Voltage				10-30 Vdc	10-30 Vdc
Residual Ripple				< 10%	< 10%
Hysteresis				< 10% (Sr)	< 10% (Sr)
Max. Output Current				200mA	200mA
Min. Output Current				---	---
Residual Current				---	---
Voltage Drop				< 1,2V	< 1,2V
Operation Led				Yellow	Yellow
Switching Frequency				500 Hz	500 Hz
Start Up Delay				75 ms	75 ms
Repeatability				< 3%	< 3%
Short Circuit Protection				Present (self-resetting)	Present (self-resetting)
Electric Protection				Against polarity reversal inductive loads	Against polarity reversal inductive loads
Temperature Limit				(-25 ... +70 °C)	(-25 ... +70 °C)
Protection Degree				IP67	IP67
Cable Length				---	2 m
Cable Section				---	3x0,14mm ²
Housing Material				nickel-plated brass	nickel-plated brass
Weight - Cable Output				---	80 g
Weight - Connector Output				40 g	---